



## RAUTOOL ASSEMBLY TOOLS

THE UNIVERSAL PROFESSIONAL TOOL CONCEPT BY REHAU

# RAUTOOL PROFESSIONAL TOOL CONCEPT

## ASSEMBLY TOOLS

### FOR THE REHAU COMPRESSION SLEEVE JOINTING TECHNIQUE

Practical: For the easy assembly of the secure REHAU compression sleeve jointing technique you can use the universal pro-tool concept RAUTOOL, which is constantly being optimised by REHAU. Only RAUTOOL assembly tools guarantee easy installation and fully leakproof connections.

Its compact construction simplifies handling and also makes it possible to install in unfavourable construction situations. Depending on the individual needs, the modular tool concept can bring together the tools which are actually needed. A further plus factor is the maintenance-free configuration of the tools. An additional reminder of the constant quality it offers.

The different tool variations and drive configurations let the user select the optimum tool for the corresponding area of application. Comprehensive accessories supplement the RAUTOOL assembly tools: from single and double compression jaws to internal bending springs for RAUTITAN stabil pipes all the way to expander heads and pipe cutters.



Information on REHAU's professional assembly tools can be found online at: [www.rehau.com](http://www.rehau.com)

# RAUTOOL PROFESSIONAL TOOL CONCEPT

## ASSEMBLY TOOLS

### FOR THE REHAU COMPRESSION SLEEVE JOINTING TECHNIQUE



#### In the universal, professional RAUTOOL tool concept, we provide you with:

- Construction-site-ready range of tools for quick and reliable installation
- Various drive configurations with pipe dimensions from 10 to 110 mm

#### Benefits:

- High-quality assembly tools
- Installation systems and professional tools from a single source
- Specially designed for REHAU fitting range
- Development and service by REHAU
- Constant improvements and further developments to tool solutions
- Different drive configurations for every requirement
- Compatibility of supplementary sets with all hydraulic tools
- Almost maintenance-free

#### Possible applications:

The RAUTOOL tools can be used in the following installation systems:

- REHAU domestic installation system RAUTITAN
- REHAU underfloor heating/cooling
- REHAU industrial pipe system RAUPEX
- REHAU local/district heating system RAUTHERMEX



#### Accessories:

The REHAU compression sleeve tools RAUTOOL can be upgraded with the following accessories:

- Single and double compression jaws
- Internal bending springs for RAUTITAN stabil pipe
- Expander bits for expanding the pipes
- Pipe cutters for cutting free of burrs



The suitable professional solution for every requirement!

# RAUTOOL PROFESSIONAL TOOL CONCEPT

## MAKING THE REHAU COMPRESSION SLEEVE JOINT



1. Cut the pipe



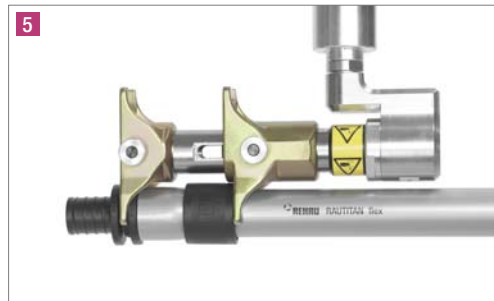
2. Slide the compression sleeve



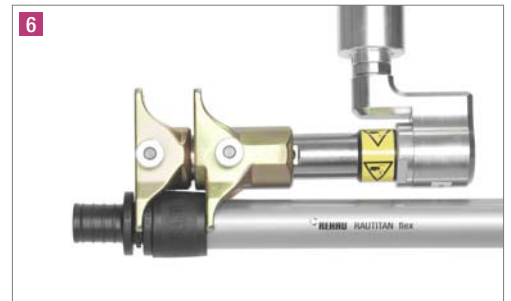
3. Expand the pipe end



4. Insert the fitting



5. Attach the compression jaw



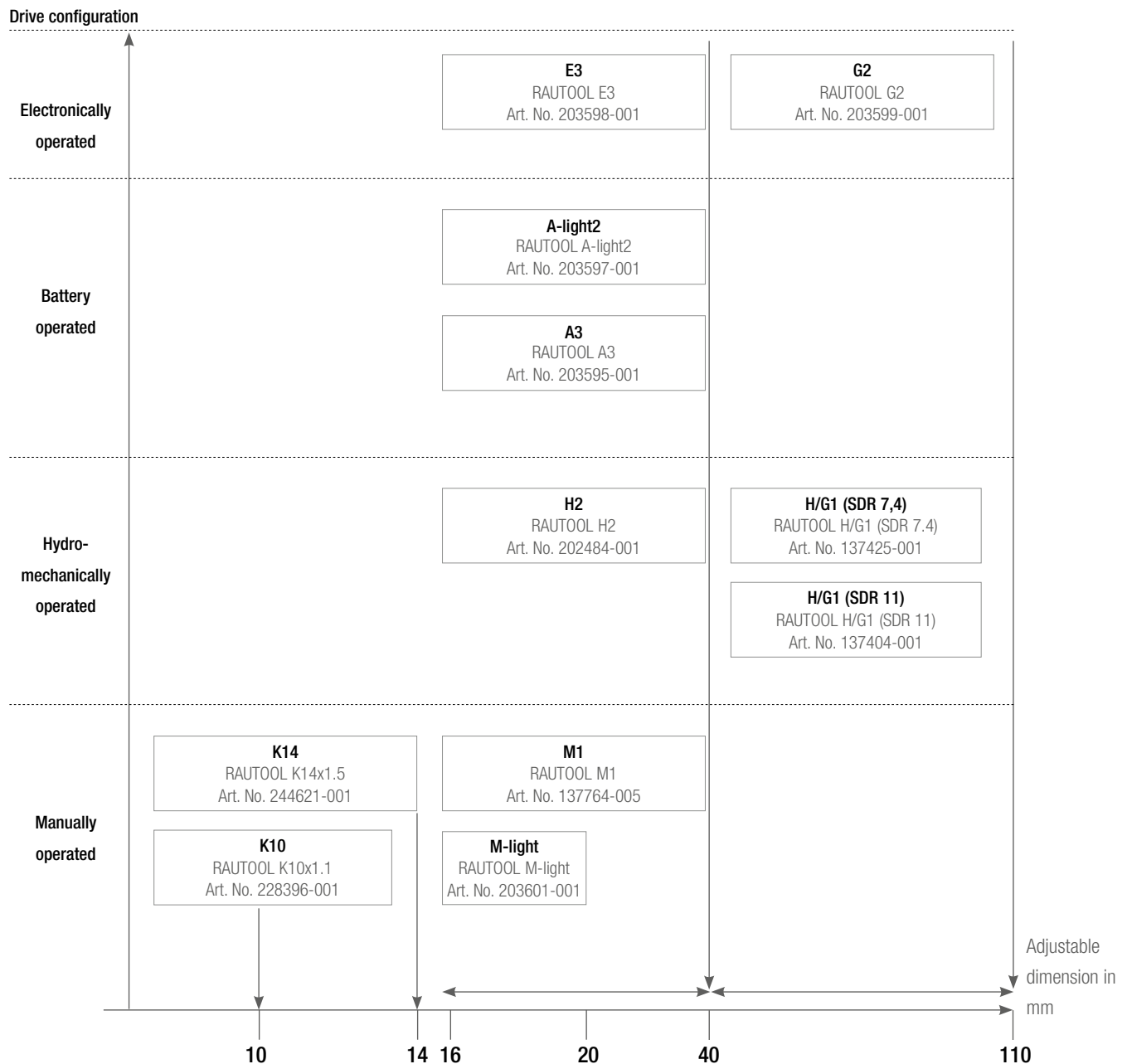
6. Compress the compression sleeve and fitting

### The benefits of the compression sleeve jointing technique:

- Untouchable reliability without o-ring
- Uncompromising safety thanks to its simple optical monitoring
- Outstanding efficiency thanks to its optimum flow
- Unbeatably versatile, universally utilizable
- No calibration or deburring
- Can be pressurised immediately
- Processing temperature of up to -10°C

# RAUTOOL PROFESSIONAL TOOL CONCEPT

## OVERVIEW RAUTOOL PROFESSIONAL TOOL CONCEPT



### The RAUTOOL professional tool concept at a glance:

<b>K10 / K14</b>	Manually operated combination tool (expansion + compression)	<b>A-light2</b>	Battery operated tool
<b>M-light / M1</b>	Manually operated tool	<b>A3</b>	Battery operated tool
<b>H2</b>	Hydro-mechanically operated tool	<b>E3</b>	Electronically operated tool
		<b>G2</b>	Electronically operated tool for large pipe diameter
		<b>H/G1</b>	Hydro-mechanically operated tool for large pipe diameter

# RAUTOOL PROFESSIONAL TOOL CONCEPT

## RAUTOOL K SERIES AND RAUTOOL M SERIES

### RAUTOOL K Series

- Combination tool
- For combined expansion and compression of the pipe



RAUTOOL K10/K14: Manual combination tool for pipe dimension 10 and 14 mm

### RAUTOOL M Series

- Manually operated tool
- Introductory compression sleeve tool for PX compression sleeve dimensions 16 and 20 mm



RAUTOOL M-light: Manual introductory compression sleeve tool for dimension 16 to 20 mm

### RAUTOOL M-light

- With double jaw 16/20, rotatable by 360°
- Tool and operating instructions included
- Accessories are available in addition, e.g. transport case with foam lining

### Benefits:

- Simple installation, even in tight spots, thanks to its compact design
- Simple single-hand operation
- Time-saving: Thanks to the double jaws 16/20, two dimensions can be adjusted without reassembling
- Small, compact, robust and long-lasting
- Inexpensive introductory model [maintenance & service]
- Maintenance-free

- Manually operated tool
- Introductory compression sleeve tool for dimensions 16 to 40 mm



RAUTOOL M1: Manual introductory compression sleeve tool for dimension 16 to 40 mm

### RAUTOOL M1

- With double jaws for two pipe dimensions each
- Can be upgraded with various supplementary sets and accessories; e.g. supplementary sets Plumbing 16 to 32 mm, and much more

### Benefits:

- Simple installation, even in tight spots, thanks to its compact design (L-design flush with the wall)
- Simple operation
- Time-saving: Thanks to the double jaws, two dimensions can be adjusted without reassembling
- Robust and long-lasting
- Inexpensive introductory model
- Maintenance-free

# RAUTOOL PROFESSIONAL TOOL CONCEPT

## RAUTOOL H SERIES AND RAUTOOL E SERIES

### RAUTOOL H Series

- Hydro-mechanical tool
- Compression sleeve tool with foot/hand pump for dimensions 16 to 40 mm



RAUTOOL H2: Hydro-mechanical compression sleeve tool with foot pump for dimensions 16 to 40 mm

### RAUTOOL H2

- With pressure controlled foot/hand pump
- With double jaws for two pipe dimensions each
- Can be upgraded with various supplementary sets and accessories

#### Benefits:

- Power-saving thanks to hydraulic drive
- Simple installation, even in tight spots, thanks to its compact form and the new ergonomic joint on the compression cylinder
- Simple operation
- Thanks to the double jaws, two dimensions can be adjusted without reassembling
- Independent of power supply
- Robust and long-lasting
- Maintenance-free

### RAUTOOL E Series

- Hydro-electrical tool
- Compression sleeve tool with power unit for dimensions 16 to 40 mm



RAUTOOL E3: Hydro-electrical compression sleeve tool for dimensions 16 to 40 mm

### RAUTOOL E3

- With electronically controlled power unit
- Included in the scope of delivery: one battery (18 V/3.0 Ah)
- Classic tool for prefabrication
- Can be upgraded with various supplementary sets and accessories

#### Benefits:

- More than 200 connections with one battery charge
- Innovative Li-ion technology (18 V/3.0 Ah)
- Power-saving thanks to electronic drive
- Easy operation at the touch of a button
- Hydraulic expansion possible
- Short battery charging times < 25 minutes
- Line adapter can be optionally used
- Robust and long-lasting
- Maintenance-free



# RAUTOOL PROFESSIONAL TOOL CONCEPT

## RAUTOOL A SERIES

### RAUTOOL A Series

- Battery operated hydraulic tool
- A-light2: Small, light, introductory compression sleeve tool for dimensions 16 to 40 mm



*RAUTOOL A-light2: Battery operated hydraulic compression sleeve tool for dimensions 16 to 40 mm*

### RAUTOOL A-light2

- With electronically controlled power unit
- Included in the scope of delivery: one battery (1.5 Ah)
- Can be upgraded with various supplementary sets and accessories

### Benefits:

- More than 180 connections with one battery charge
- Innovative Li-ion technology (18 V/1.5 Ah)
- Semi-automatic "pressure release" at the touch of a button
- Short battery charging times < 25 minutes
- Easy operation thanks to ergo-functional design
- Hydraulic expansion possible
- Integrated work space lighting
- Robust and long-lasting + virtually maintenance-free

- Battery operated hydraulic tool
- A3: Compression sleeve tool for dimensions 16 to 40 mm



*RAUTOOL A3: Battery operated hydraulic compression sleeve tool for dimensions 16 to 40 mm*

### RAUTOOL A3

- With electronically controlled power unit
- Included in the scope of delivery: one battery (3.0 Ah)
- Can be upgraded with various supplementary sets and accessories

### Benefits:

- More than 200 connections with one battery charge
- Innovative Li-ion technology (18 V/3.0 Ah)
- Semi-automatic "pressure release" at the touch of a button
- Short battery charging times < 25 minutes
- Easy operation thanks to ergo-functional design
- Hydraulic expansion possible
- Integrated work space lighting
- Robust and long-lasting + virtually maintenance-free



# RAUTOOL PROFESSIONAL TOOL CONCEPT

## RAUTOOL G SERIES

### RAUTOOL G Series

- For large pipe diameter
- G2: Compression sleeve tool for dimensions 50 to 63 mm or 40 to 110 mm with corresponding supplementary features/ accessories
- **Drive configuration:** electronically controlled power unit



RAUTOOL G2: Battery / electronically operated compression sleeve tool for dimensions 50 to 63 mm or 40 to 110 mm with corresponding supplementary features

### RAUTOOL G2

- With electronically controlled power unit
- Included in the scope of delivery: one battery (18 V/3.0 Ah)
- Can be upgraded with various supplementary sets and accessories, e.g. supplementary set hydraulic G for RAUPEX pipes 50 - 110

### Benefits:

- Up to 80 connections with one battery charge
- Innovative Li-ion technology (18 V/3.0 Ah)
- Power-saving thanks to electronic drive
- Easy operation at the touch of a button
- Hydraulic expansion possible
- Ideal tool for prefabrication
- Short battery charging times < 25 minutes
- Line adapter can be optionally used
- Robust and long-lasting
- Maintenance-free

- For large pipe diameter
- H/G1: Compression sleeve tool for dimensions 50 to 63 mm or 40 to 110 mm with corresponding supplementary features / accessories
- **Drive configuration:** foot pump



RAUTOOL H/G1: Mechanically / manually operated compression sleeve tool for dimensions 50 to 63 mm or 40 to 110 mm with corresponding supplementary features

### RAUTOOL H/G1

- With pressure controlled foot pump
- Can be upgraded with various supplementary sets and accessories, e.g. supplementary set - hydraulic G for RAUPEX pipes 50 - 110 mm

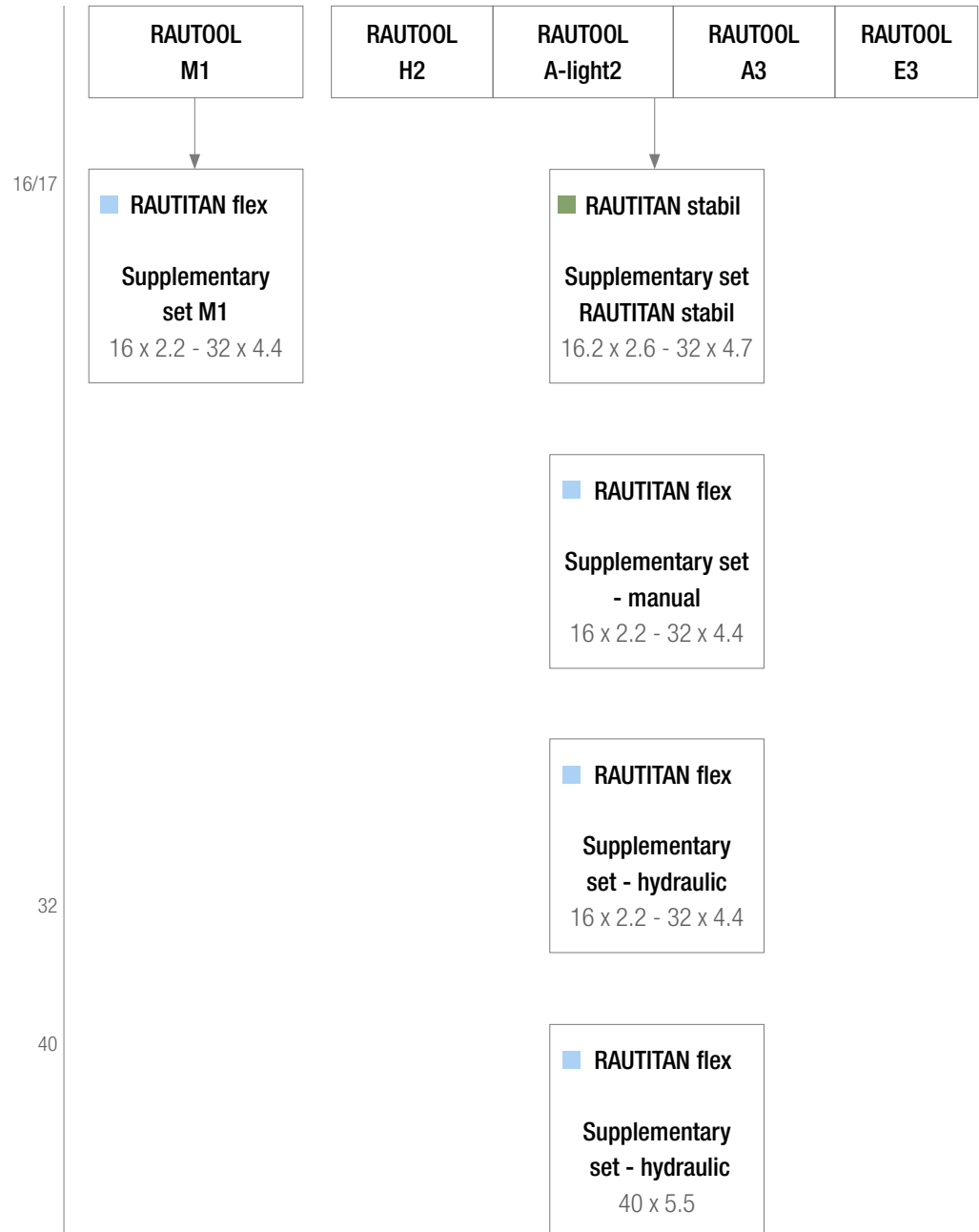
### Benefits:

- Ideal solution for use in prefabrication and on construction sites independent of power supply
- Hydraulic expansion possible
- Simple installation, even in tight spots, thanks to its compact design
- Robust and long-lasting
- Maintenance-free

# RAUTOOL PROFESSIONAL TOOL CONCEPT

## THE ALL-ROUND SOLUTION FOR INSTALLATION

All RAUTITAN supplementary sets 16 to 40 mm at a glance:



Further information on the topic of RAUTOOL professional tools as well as the instruction manuals of the various RAUTOOL tools can be found online at: [www.rehau.com](http://www.rehau.com)

# RAUTOOL PROFESSIONAL TOOL CONCEPT

## THE ALL-ROUND SOLUTION FOR INSTALLATION

### Comprehensive accessories:



Single and double compression jaws

### Individual supplementary sets:



Supplementary set M1, blue, 16 - 32

### Accessories for battery operated tools:



Spare battery for RAUTOOL A3/E3/G2



Expander RO



Supplementary set stabil, green, 16 - 32



Spare battery for RAUTOOL A-light2



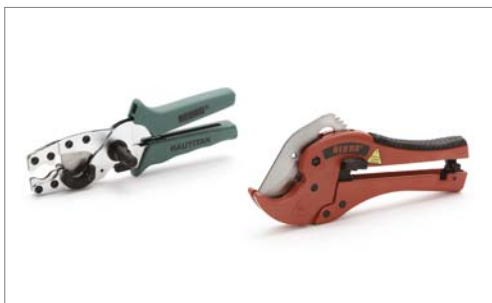
Expander bits



Supplementary set, blue, hydraulic expansion, 16 - 32



Line adapter for A3/E3/G2/A-light2



Pipe cutters for cutting free of burrs



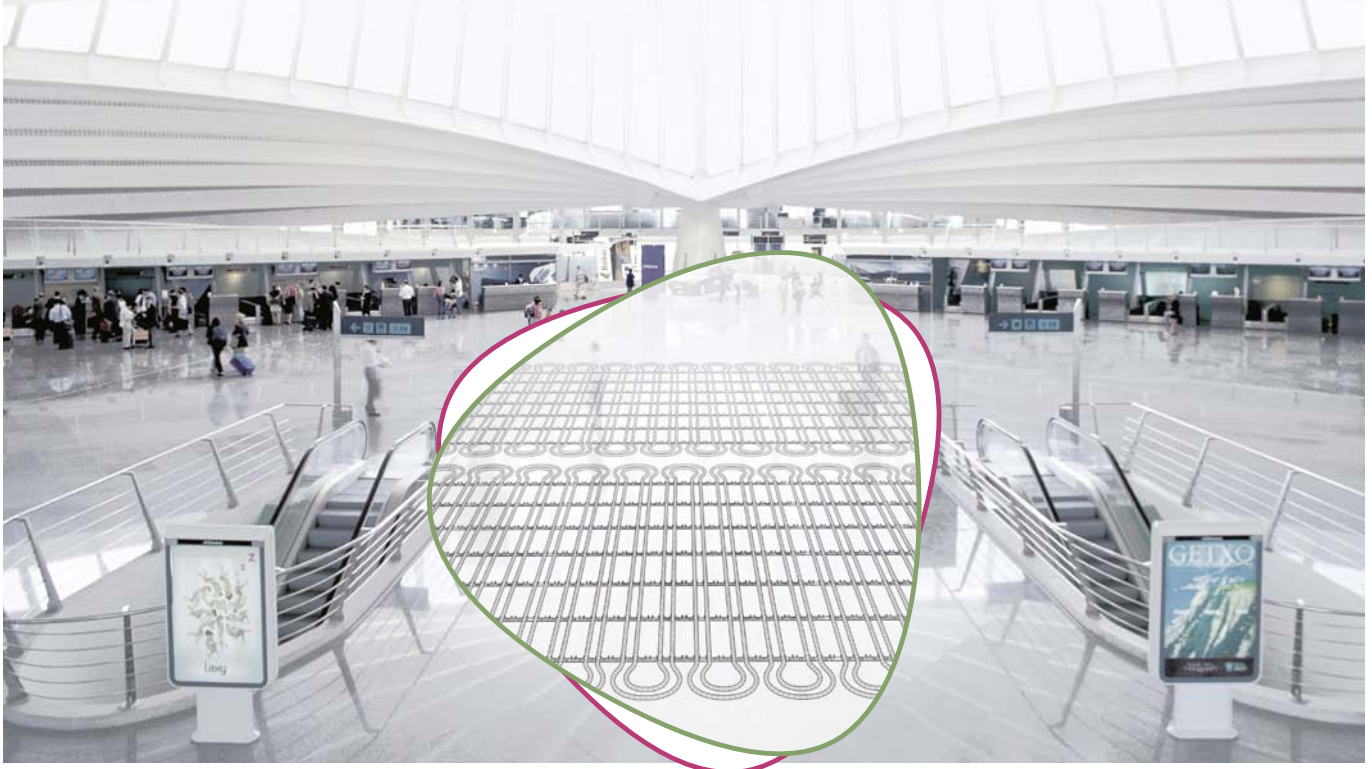
Supplementary set, red, manual expansion, 17 - 32



Battery charger for A3/E3/G2/A-light2

# REHAU BUILDING TECHNOLOGY

EXTRA VALUE FROM INNOVATIONS



The building technology area develops and produces integral and complete system solutions, which correspond to the criteria: ecology and economy; design and functionality; safety and comfort. This brings about the generation of synergies and added value. Standardised systems are implemented in a similar way to services specifically for target audiences. The core skills are to be found in the areas of heating and cooling, gas and water installation, industrial piping and compressed air networks as well as in electrical installation. These are advanced through the inclusion of applications such as the central vacuum cleaner system, VACUCLEAN, RAURAIN rain water harvesting and the systems for the use of renewable energies: solarthermal water heating with REHAU SOLECT as well as RAUGEO for geothermal usage.

Thanks to our many years of experience and our decentralised structure, we can provide our partners with sophisticated systems for planning, tendering, implementation and operations on almost all markets. Architects, planners, specialist tradesmen and wholesalers rely on a strong partnership. We satisfy these high demands by consistently improving the functionality and robustness of our products for rough construction work. In Europe, we are one of the leading providers of building technology systems, for use in detached homes all the way to large complexes.

We guarantee our partners growth and additional benefits through innovation, technical skill, competitiveness and professional quality management.